

SLB[®]

REGISTERED IN U.S.A

GENERAL CATALOGUE

Power Transmission Division
Product Information Manual

SLB[®]

REGISTERED IN U.S.A

GENERAL CATALOGUE

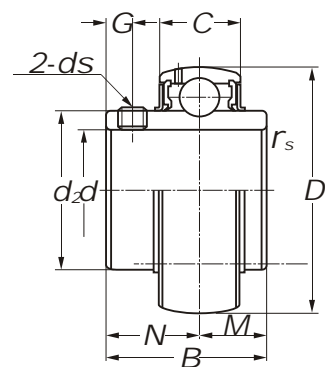
Pillow block

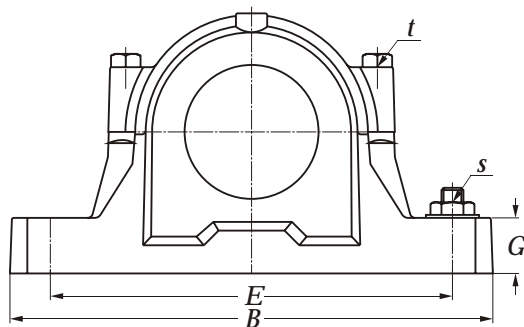
Plummer block

Stainless housing

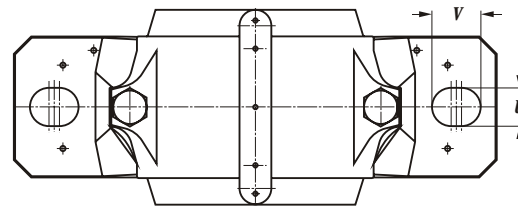
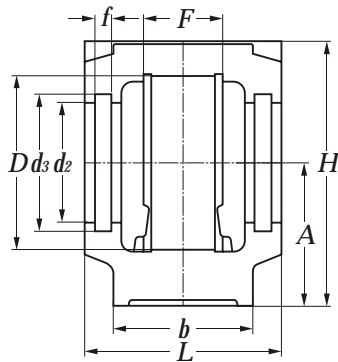
Plastic housing

Stainless steel spherical insert bearing

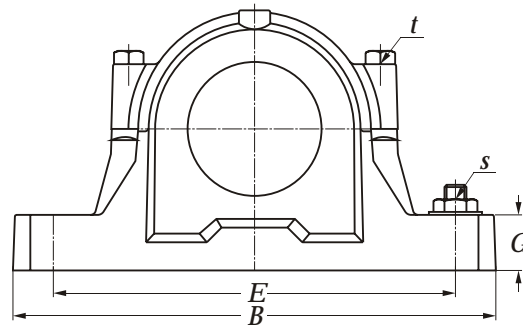




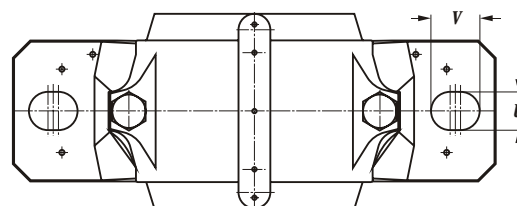
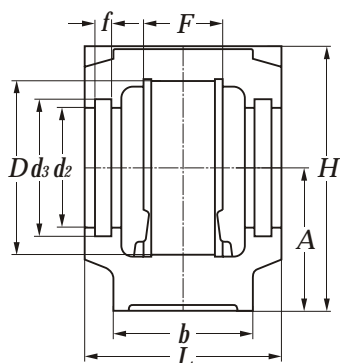
HOUSING SIZE	SHAFT DIAMETER d (mm)	PLUMMER BLOCK HOUSING	PLUMMER BLOCK HOUSING DIMENSIONS (mm)										
			D (H8)	B	b	G	F (H13)	A (h13)	L	H	E	d_2 (H12)	d_3 (H13)
SNU 505	20	SNU 505	52	165	46	19	25	40	67	73	130	31.5	39.5
SNU 605	20	SNU 506-605	62	185	52	22	32	50	77	88	150	36.5	44.5
SNU 506	25	SNU 506-605	62	185	52	22	32	50	77	88	150	36.5	44.5
SNU 606	25	SNU 507-606	72	185	52	22	34	50	82	93	150	46.5	54.5
SNU 507	30	SNU 507-606	72	185	52	22	34	50	82	93	150	46.5	54.5
SNU 607	30	SNU 508-607	80	205	60	25	39	60	85	107	170	51.5	59.5
SNU 508	35	SNU 508-607	80	205	60	25	39	60	85	107	170	51.5	59.5
SNU 608	35	SNU 510-608	90	205	60	25	41	60	90	112	170	62.0	70.5
SNU 509	40	SNU 509	85	205	60	25	30	60	85	109	170	56.5	64.5
SNU 609	40	SNU 511-609	100	255	70	28	44	70	95	127	210	67.0	75.5
SNU 510	45	SNU 510-608	90	205	60	25	41	60	90	112	170	62.0	70.5
SNU 610	45	SNU 512-610	110	255	70	30	48	70	105	133	210	72.0	80.5
SNU 511	50	SNU 511-609	100	255	70	28	44	70	95	127	210	67.0	75.5
SNU 611	50	SNU 513-611	120	275	80	30	51	80	110	148	230	77.0	85.5
SNU 512	55	SNU 512-610	110	255	70	30	48	70	105	133	210	72.0	80.5
SNU 612	55	SNU 515-612	130	280	80	30	56	80	115	154	230	87.0	95.5
SNU 513	60	SNU 513-611	120	275	80	30	51	80	110	148	230	77.0	85.5
SNU 613	60	SNU 516-613	140	315	90	32	58	95	120	175	260	92.5	101.0
SNU 515	65	SNU 515-612	130	280	80	30	56	80	115	154	230	87.0	95.5
SNU 615	65	SNU 518-615	160	345	100	35	65	100	140	191	290	102.5	111.0



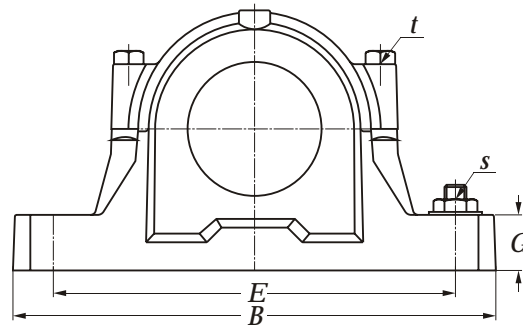
PLUMMER BLOCK HOUSING DIMENSIONS (mm)						APPROPRIATE APARTMENT						
f	u	v	s	t	WEIGHT Kg	BEARING NUMBER		ADAPTER	LOCATING RING		SEAL	END
								SLEEVE	NUMBER	QTY	NUMBER	COVER
5	15	20	M 12	M 8	1.4	1205 K		H 205	SR 52X5	2	U 505	505 UA
						2205 K	22205 K	H 305	SR 52X7	1		
5	15	20	M 12	M 8	1.9	1305 K		H 305	SR 62X7.5	2	U 605	506 UA
						2305 K		H 2305	SR 62X8	1		
5	15	20	M 12	M 8	1.9	1206 K		H 206	SR 62X8	2	U 506	506 UA
						2206 K	22206 K	H 306	SR 62X6	2		
5	15	20	M 12	M 10	2.0	1306 K		H 306	SR 72X7.5	2	U 606	507 UA
						2306 K		H 2306	SR 72X7	1		
5	15	20	M 12	M 10	2.0	1207 K		H 207	SR 72X8.5	2	U 507	507 UA
						2207 K	22207 K	H 307	SR 72X5.5	2		
5	15	20	M 12	M 10	2.7	1307 K		H 307	SR 80X9	2	U 607	508 UA
						2307 K		H 2307	SR 80X8	1		
5	15	20	M 12	M 10	2.7	1208 K		H 208	SR 80X10.5	2	U 508	508 UA
						2208 K	22208 K	H 308	SR 80X8	2		
5	15	20	M 12	M 10	2.9	1308 K	21308 K	H 308	SR 90X9	2	U 608	511 NA-510 UA
						2308 K	22308 K	H 2308	SR 90X8	1		
5	15	20	M 12	M 10	2.8	1209 K		H 209	SR 85X5.5	2	U 509	509 UA
						2209 K	22209 K	H 309	SR 85X7	1		
5	18	24	M 16	M 12	4.5	1309 K	21309 K	H 309	SR 100X9.5	2	U 609	512 NA-511 UA
						2309 K	22309 K	H 2309	SR 100X8	1		
5	15	20	M 12	M 10	2.9	1210 K		H 210	SR 90X10.5	2	U 510	511 NA-510 UA
						2210 K	22210 K	H 310	SR 90X9	2		
5	18	24	M 16	M 12	5.0	1310 K	21310 K	H 310	SR 110X10.5	2	U 610	513 NA-512 UA
						2310 K	22310 K	H 2310	SR 110X8	1		
5	18	24	M 16	M 12	4.5	1211 K		H 211	SR 100X11.5	2	U 511	512 NA-511 UA
						2211 K	22211 K	H 311	SR 100X9.5	2		
5	18	24	M 16	M 12	6.3	1311 K	21311 K	H 311	SR 120X11	2	U 611	515 NA-513 UA
						2311 K	22311 K	H 2311	SR 120X8	1		
5	18	24	M 16	M 12	5.0	1212 K		H 212	SR 110X13	2	U 512	513 NA-512 UA
						2212 K	22212 K	H 312	SR 110X10	2		
5	18	24	M 16	M 12	6.6	1312 K	21312 K	H 312	SR 130X12.5	2	U 612	517 NA-515 UA
						2312 K	22312 K	H 2312	SR 130X10	1		
5	18	24	M 16	M 12	6.3	1213 K		H 213	SR 120X14	2	U 513	515 NA-513 UA
						2213 K	22213 K	H 313	SR 120X10	2		
5	22	28	M 20	M 16	9.4	1313 K	21313 K	H 313	SR 140X12.5	2	U 613	518 NA-516 UA
						2313 K	22313 K	H 2313	SR 140X10	1		
5	18	24	M 16	M 12	6.6	1215 K		H 215	SR 130X15.5	2	U 515	517 NA-515 UA
						2215 K	22215 K	H 315	SR 130X12.5	2		
5	22	28	M 20	M 16	12.3	1315 K	21315 K	H 315	SR 160X14	2	U 615	520 NA-518 UA
						2315 K	22315 K	H 2315	SR 160X10	1		



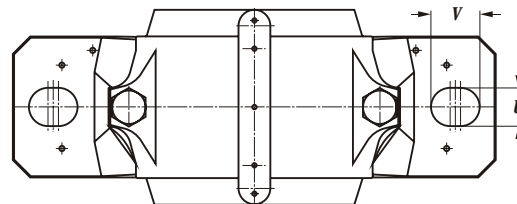
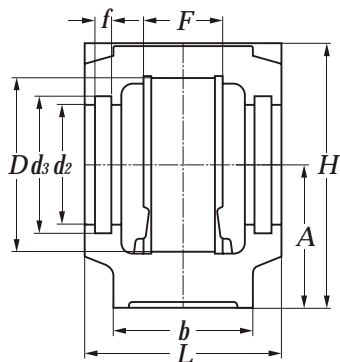
HOUSING SIZE	SHAFT DIAMETER	PLUMMER BLOCK HOUSING	PLUMMER BLOCK HOUSING DIMENSIONS (mm)										
	d (mm)		D (H8)	B	b	G	F (H13)	A (h13)	L	H	E	d_2 (H12)	d_3 (H13)
SNU 516	70	SNU 516-613	140	315	90	32	58	95	120	175	260	92.5	101.0
SNU 616	70	SNU 519-616	170	345	100	35	68	112	145	208	290	131.0	141.0
SNU 517	75	SNU 517	150	320	90	32	61	95	125	181	260	97.5	106.0
SNU 617	75	SNU 520-617	180	380	110	40	70	112	160	214	320	137.5	147.5
SNU 518	80	SNU 518-615	160	345	100	35	65	100	140	191	290	102.5	111.0
SNU 519	85	SNU 519-616	170	345	100	35	68	112	145	208	290	131.0	141.0
SNU 619	85	SNU 522-619	200	410	120	45	80	125	175	237	350	147.5	157.5
SNU 520	90	SNU 520-617	180	380	110	40	70	112	160	214	320	137.5	147.5
SNU 620	90	SNU 524-620	215	410	120	45	86	140	185	271	350	157.5	167.5
SNU 522	100	SNU 522-619	200	410	120	45	80	125	175	237	350	147.5	157.5
SNU 524	110	SNU 524-620	215	410	120	45	86	140	185	271	350	157.5	167.5
SNU 526	115	SNU 526	230	445	130	50	90	150	190	290	380	167.5	177.5
SNU 528	125	SNU 528	250	500	150	50	98	150	205	302	420	177.5	187.5
SNU 530	135	SNU 530	270	530	160	60	106	160	220	323	450	192.5	202.5
SNU 532	140	SNU 532	290	550	160	60	114	170	235	344	470	202.5	212.5



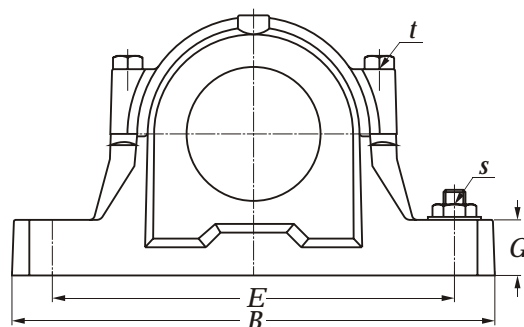
PLUMMER BLOCK HOUSING DIMENSIONS (mm)						APPROPRIATE APARTMENT						
f	u	v	s	t	WEIGHT Kg	BEARING NUMBER		ADAPTER	LOCATING RING		SEAL	END
								SLEEVE	NUMBER	QTY	NUMBER	COVER
5	22	28	M 20	M 16	9.4	1216 K		H 216	SR 140X16	2	U 516	518 NA-516 UA
						2216 K	22216 K	H 316	SR 140X12.5	2		
6	22	28	M 20	M 16	13.5	1316 K	21316 K	H 316	SR 170X14.5	2	U 616	526 NA-519 UA
						2316 K	22316 K	H 2316	SR 170X10	1		
5	22	28	M 20	M 16	9.8	1217 K		H 217	SR 150X16.5	2	U 517	519 NA-517 UA
						2217 K	22217 K	H 317	SR 150X12.5	2		
6	26	32	M 24	M 20	16.6	1317 K	21317 K	H 317	SR 180X14.5	2	U 617	520 UA
						2317 K	22317 K	H 2317	SR 180X10	1		
5	22	28	M 20	M 16	12.3	1218 K		H 218	SR 160X17.5	2	U 518	520 NA-518 UA
						2218 K	22218 K	H 318	SR 160X12.5	2		
6	22	28	M 20	M 16	13.5	1219 K		H 219	SR 170X18	2	U 519	526 NA-519 UA
						2219 K	22219 K	H 319	SR 170X12.5	2		
6	26	32	M 24	M 20	20.4	1319 K	21319 K	H 319	SR 200X17.5	2	U 619	528 NA-522 UA
						2319 K	22319 K	H 2319	SR 200X13	1		
6	26	32	M 24	M 20	16.6	1220 K		H 220	SR 180X18	2	U 520	520 UA
						2220 K	22220 K	H 320	SR 180X12	2		
6	26	32	M 24	M 20	25.0	1320 K	21320 K	H 320	SR 215X19.5	2	U 620	530 NA-524 UA
						2320 K	22320 K	H 2320	SR 215X13	1		
6	26	32	M 24	M 20	20.4	1222 K		H 222	SR 200X21	2	U 522	528 NA-522 UA
						2222 K	22222 K	H 322	SR 200X13.5	2		
6	26	32	M 24	M 20	25.0	2224 K		H 3124	SR 215X14	2	U 524	530 NA-524 UA
						2324 K	22324 K	H 2324	SR 215X10	1		
6	28	35	M 24	M 24	29.8	2226 K		H 3126	SR 230X13	2	U 526	532 NA-526 UA
						2326 K	22326 K	H 2326	SR 230X10	1		
6	35	42	M 30	M 24	37.5	2228 K		H 3128	SR 250X15	2	U 528	528 UA
						2328 K	22328 K	H 2328	SR 250X10	1		
6	35	42	M 30	M 24	46.0	22230 K		H 3130	SR 270X16.5	2	U 530	530 UA
						23230 K	223230 K	H 2330	SR 270X10	1		
6	35	42	M 30	M 24	51.0	22232 K		H 3132	SR 290X17	2	U 532	532 UA
						23232 K	223232 K	H 2332	SR 290X10	1		



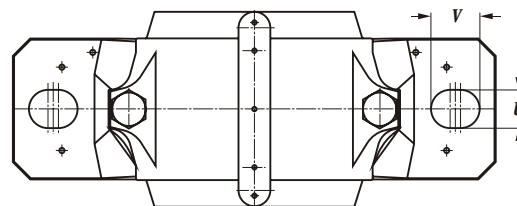
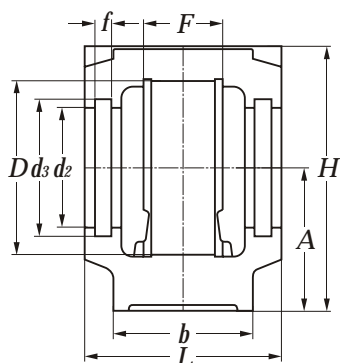
HOUSING SIZE	SHAFT DIAMETER		PLUMMER BLOCK HOUSING	PLUMMER BLOCK HOUSING DIMENSIONS (mm)									
	d (mm)	d_1 (mm)		D	B	b	G	F	A	L	H	E	d_2
				(H8)				(H13)	(h13)				
SNU 205	25	30	SNU 205	52	165	46	19	25	40	67	73	130	36.5
SNU 205/FS	25	30	SNU 505	52	165	46	19	25	40	67	73	130	31.5
SNU 305	25	30	SNU 206	62	185	52	22	32	50	77	88	150	46.5
SNU 206	30	35	SNU 206	62	185	52	22	32	50	77	88	150	46.5
SNU 206/FS	30	35	SNU 506-605	62	185	52	22	32	50	77	88	150	36.5
SNU 306	30	35	SNU 507-606	72	185	52	22	34	50	82	93	150	46.5
SNU 207	35	45	SNU 207	72	185	52	22	34	50	82	93	150	56.5
SNU 207/FS	35	45	SNU 507-606	72	185	52	22	34	50	82	93	150	46.5
SNU 307	35	45	SNU 208	80	205	60	25	39	60	85	107	170	62.0
SNU 208	40	50	SNU 208	80	205	60	25	39	60	85	107	170	62.0
SNU 208/FS	40	50	SNU 508-607	80	205	60	25	39	60	85	107	170	51.5
SNU 308	40	50	SNU 510-608	90	205	60	25	41	60	90	112	170	62.0
SNU 209	45	55	SNU 209	85	205	60	25	30	60	85	109	170	67.0
SNU 209/FS	45	55	SNU 509	85	205	60	25	30	60	85	109	170	56.5
SNU 309	45	55	SNU 511-609	100	255	70	28	44	70	95	127	210	67.0
SNU 210	50	60	SNU 210	90	205	60	25	41	60	90	112	170	72.0
SNU 210/FS	50	60	SNU 510-608	90	205	60	25	41	60	90	112	170	62.0
SNU 310	50	60	SNU 512-610	110	255	70	30	48	70	105	133	210	72.0



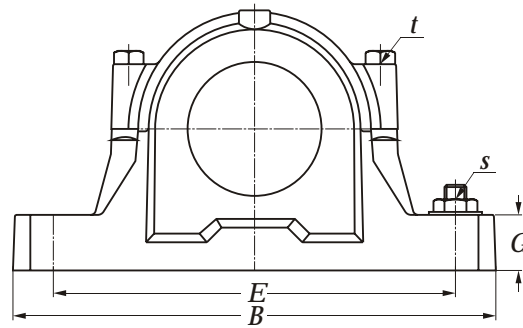
PLUMMER BLOCK HOUSING DIMENSIONS (mm)							APPROPRIATE APARTMENT					
d_3 (H13)	f	u	v	s	t	WEIGHT Kg	BEARING NUMBER		LOCATING RING		SEAL	END
									NUMBER	QTY	NUMBER	COVER
44.5	5	15	20	M 12	M 8	1.4	1205 2205	22205	SR 52X5 SR 52X7	2 1	U 205	506 UA
39.5	5	15	20	M 12	M 8	1.4	1205 2205	22205	SR 52X5 SR 52X7	2 1	FS 6X6X115	505 UA
54.5	5	15	20	M 12	M 8	1.8	1305 2305		SR 62X7.5 SR 62X8	2 1	U 305	507 UA
54.5	5	15	20	M 12	M 8	1.8	1206 2206	22206	SR 62X8 SR 62X6	2 2	U 206	507 UA
44.5	5	15	20	M 12	M 8	1.9	1206 2206	22206	SR 62X8 SR 62X6	2 2	FS 6X6X130	506 UA
54.5	5	15	20	M 12	M 10	2.0	1306 2306		SR 72X7.5 SR 72X7	2 1	U 206	507 UA
64.5	5	15	20	M 12	M 10	1.9	1207 2207	22207	SR 72X8.5 SR 72X5.5	2 2	U 207	509 UA
54.5	5	15	20	M 12	M 10	2.0	1207 2207	22207	SR 72X8.5 SR 72X5.5	2 2	FS 6X6X160	507 UA
70.5	5	15	20	M 12	M 10	2.6	1307 2307		SR 80X9 SR 80X8	2 1	U 510	511 NA-510 UA
70.5	5	15	20	M 12	M 10	2.6	1208 2208	22208	SR 80X10.5 SR 80X8	2 2	U 208	511 NA-510 UA
59.5	5	15	20	M 12	M 10	2.7	1208 2208	22208	SR 80X10.5 SR 80X8	2 2	FS 6X6X175	508 UA
70.5	5	15	20	M 12	M 10	2.9	1308 2308	21308 22308	SR 90X9 SR 90X8	2 1	U 208	511 NA-510 UA
75.5	5	15	20	M 12	M 10	2.7	1209 2209	22209	SR 85X5.5 SR 85X7	2 1	U 209	512 NA-511 UA
64.5	5	15	20	M 12	M 10	2.8	1209 2209	22209	SR 85X5.5 SR 85X7	2 1	FS 6X6X190	509 UA
75.5	5	18	24	M 16	M 12	4.5	1309 2309	21309 22309	SR 100X9.5 SR 100X8	2 1	U 209	512 NA-511 UA
80.5	5	15	20	M 12	M 10	2.7	1210 2210	22210	SR 90X10.5 SR 90X9	2 2	U 210	513 NA-512 UA
70.5	5	15	20	M 12	M 10	2.9	1210 2210	22210	SR 90X10.5 SR 90X9	2 2	FS 6X6X210	511 NA-510 UA
80.5	5	18	24	M 16	M 12	5.0	1310 2310	22310 22310	SR 110X10.5 SR 110X8	2 1	U 210	513 NA-512 UA



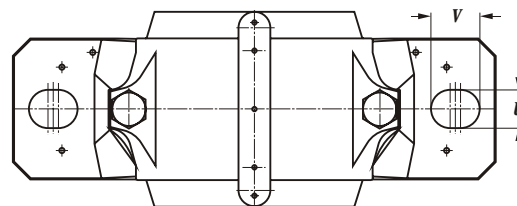
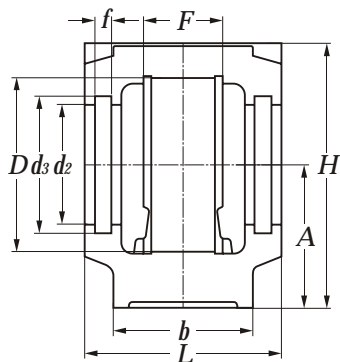
HOUSING SIZE	SHAFT DIAMETER		PLUMMER BLOCK HOUSING	PLUMMER BLOCK HOUSING DIMENSIONS (mm)									
	d (mm)	d_i (mm)		D	B	b	G	F	A	L	H	E	d_2
				(H8)				(H13)	(h13)				
SNU 211	55	65	SNU 211	100	255	70	28	44	70	95	127	210	77.0
SNU 211/FS	55	65	SNU 511-609	100	255	70	28	44	70	95	127	210	67.0
SNU 311	55	65	SNU 513-611	120	275	80	30	51	80	110	148	230	77.0
SNU 212	60	70	SNU 212	110	255	70	30	48	70	105	133	210	87.0
SNU 212/FS	60	70	SNU 512-610	110	255	70	30	48	70	105	133	210	72.0
SNU 312	60	70	SNU 515-612	130	280	80	30	56	80	115	154	230	87.0
SNU 213	65	75	SNU 213	120	275	80	30	51	80	110	148	230	92.5
SNU 213/FS	65	75	SNU 513-611	120	275	80	30	51	80	110	148	230	77.0
SNU 313	65	75	SNU 516-613	140	315	90	32	58	95	120	175	260	92.5
SNU 314	70	80	SNU 517	150	320	90	32	61	95	125	181	260	97.5
SNU 215	75	85	SNU 215	130	280	80	30	56	80	115	154	230	102.5
SNU 215/FS	75	85	SNU 515-612	130	280	80	30	56	80	115	154	230	87.0
SNU 315	75	85	SNU 518-615	160	345	100	35	65	100	140	191	290	102.5
SNU 216	80	90	SNU 216	140	315	90	32	58	95	120	175	260	108.0
SNU 216/FS	80	90	SNU 516-613	140	315	90	32	58	95	120	175	260	92.5
SNU 316	80	90	SNU 519-616	170	345	100	35	68	112	145	208	290	131.0
SNU 217	85	95	SNU 217	150	320	90	32	61	95	125	181	260	112.0
SNU 217/FS	85	95	SNU 517	150	320	90	32	61	95	125	181	260	97.5
SNU 317	85	95	SNU 520-617	180	380	110	40	70	112	160	214	320	137.5



PLUMMER BLOCK HOUSING DIMENSIONS (mm)							APPROPRIATE APARTMENT					
d_3 (H13)	f	u	v	s	t	WEIGHT Kg	BEARING NUMBER		LOCATING RING		SEAL NUMBER	END COVER
									NUMBER	QTY		
85.5	5	18	24	M 16	M 12	4.3	1211	SR 100X11.5	2	U 211	515 NA-513 UA	
							2211 22211	SR 100X9.5	2			
75.5	5	18	24	M 16	M 12	4.5	1211	SR 100X11.5	2	FS 6X6X225	512 NA-511 UA	
							2211 22211	SR 100X9.5	2			
85.5	5	18	24	M 16	M 12	6.3	1311	SR 120X11	2	U 211	515 NA-513 UA	
							2311 21311 22311	SR 120X8	1			
95.5	5	18	24	M 16	M 12	4.7	1212	SR 110X13	2	U 212	517 NA-515 UA	
							2212 22212	SR 110X10	2			
80.5	5	18	24	M 16	M 12	5.0	1212	SR 110X13	2	FS 6X6X240	513 NA-512 UA	
							2212 22212	SR 110X10	2			
95.5	5	18	24	M 16	M 12	6.6	1312	SR 130X12.5	2	U 212	517 NA-515 UA	
							2312 21312 22312	SR 130X10	1			
101.0	5	18	24	M 16	M 12	5.9	1213	SR 120X14	2	U 213	518 NA-516 UA	
							2213 22213	SR 120X10	2			
85.5	5	18	24	M 16	M 12	6.3	1213	SR 120X14	2	FS 6X6X255	515 NA-513 UA	
							2213 22213	SR 120X10	2			
101.0	5	22	28	M 20	M 16	9.4	1313	SR 140X12.5	2	U 213	518 NA-516 UA	
							2313 21313 22313	SR 140X10	1			
106.0	5	22	28	M 20	M 16	9.8	1314	SR 150X13	2	U 314	519 NA-517 UA	
							2314 21314 22314	SR 150X10	1			
111.0	5	18	24	M 16	M 12	6.2	1215	SR 130X15.5	2	U 215	520 NA-518 UA	
							2215 22215	SR 130X12.5	2			
95.5	5	18	24	M 16	M 12	6.6	1215	SR 130X15.5	2	FS 6X6X290	517 NA-515 UA	
							2215 22215	SR 130X12.5	2			
111.0	5	22	28	M 20	M 16	12.3	1315	SR 160X14	2	U 215	520 NA-518 UA	
							2315 21315 22315	SR 160X10	1			
116.5	5	22	28	M 20	M 16	8.9	1216	SR 140X16	2	U 216	216 UA	
							2216 22216	SR 140X12.5	2			
101.0	5	22	28	M 20	M 16	9.4	1216	SR 140X16	2	FS 6X6X305	518 NA-516 UA	
							2216 22216	SR 140X12.5	2			
141.0	6	22	28	M 20	M 16	13.5	1316	SR 170X14.5	2	U 316	526 NA-519 UA	
							2316 21316 22316	SR 170X10	1			
120.5	5	22	28	M 20	M 16	9.3	1217	SR 150X16.5	2	U 217	217 UA	
							2217 22217	SR 150X12.5	2			
106.0	5	22	28	M 20	M 16	9.8	1217	SR 150X16.5	2	FS 6X6X320	519 NA-517 UA	
							2217 22217	SR 150X12.5	2			
147.5	6	26	32	M 24	M 20	16.6	1317	SR 180X14.5	2	U 317	520 UA	
							2317 21317 22317	SR 180X10	1			



HOUSING SIZE	SHAFT DIAMETER		PLUMMER BLOCK HOUSING	PLUMMER BLOCK HOUSING DIMENSIONS (mm)									
	d (mm)	d_1 (mm)		D	B	b	G	F	A	L	H	E	d_2
				(H8)				(H13)	(h13)				
SNU 218	90	100	SNU 218	160	345	100	35	65	100	140	191	290	120.0
SNU 218/FS	90	100	SNU 518-615	160	345	100	35	65	100	140	191	290	102.5
SNU 319	95	110	SNU 522-619	200	410	120	45	80	125	175	237	350	147.5
SNU 220	100	115	SNU 520-617	180	380	110	40	70	112	160	214	320	137.5
SNU 320	100	115	SNU 524-620	215	410	120	45	86	140	185	271	350	157.5
SNU 222	110	125	SNU 522-619	200	410	120	45	80	125	175	237	350	147.5
SNU 224	120	135	SNU 524-620	215	410	120	45	86	140	185	271	350	157.5
SNU 226	130	145	SNU 526	230	445	130	50	90	150	190	290	380	167.5
SNU 228	140	155	SNU 528	250	500	150	50	98	150	205	302	420	177.5
SNU 230	150	165	SNU 530	270	530	160	60	106	160	220	323	450	192.5
SNU 232	160	175	SNU 532	290	550	160	60	114	170	235	344	470	202.5

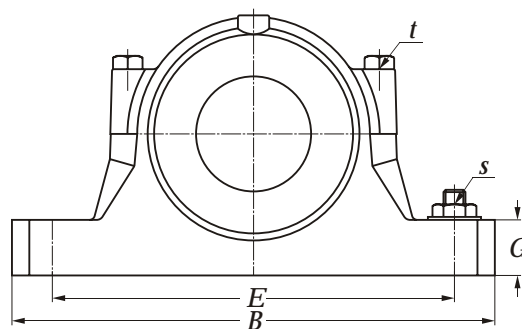


PLUMMER BLOCK HOUSING DIMENSIONS (mm)							APPROPRIATE APARTMENT					
d_3 (H13)	f	u	v	s	t	WEIGHT Kg	BEARING NUMBER		LOCATING RING		SEAL	END
									NUMBER	QTY	NUMBER	COVER
128.5	5	22	28	M 20	M 16	12.3	1218 2218 23218	22218	SR 160X17.5 SR 160X12.5 SR 160X12.5	2 2 1	U 218	218 UA
111.0	5	22	28	M 20	M 16	12.3	1218 2218 23218	22218	SR 160X17.5 SR 160X12.5 SR 160X12.5	2 2 1	FS 6X6X340	520 NA-518 UA
157.5	6	26	32	M 24	M 20	20.4	1319 2319	21319 22319	SR 200X17.5 SR 200X13	2 1	U 319	528 NA-522 UA
147.5	6	26	32	M 24	M 20	16.6	1220 2220	22220 23220	SR 180X18 SR 180X12 SR 180X9.7	2 2 1	U 220	520 UA
167.5	6	26	32	M 24	M 20	25.0	1320 2320	21320 22320	SR 215X19.5 SR 215X13	2 1	U 320	530 NA-524 UA
157.5	6	26	32	M 24	M 20	20.4	1222 2222	22222 23222	SR 200X21 SR 200X13.5 SR 200X10.2	2 2 1	U 222	528 NA-522 UA
167.5	6	26	32	M 24	M 20	25.0		22224 23224	SR 215X14 SR 215X10	2 1	U 224	530 NA-524 UA
177.5	6	28	35	M 24	M 24	29.8		22226 23226	SR 230X13 SR 230X10	2 1	U 226	532 NA-526 UA
187.5	6	35	42	M 30	M 24	37.5		22228 23228	SR 250X15 SR 250X10	2 1	U 228	528 UA
202.5	6	35	42	M 30	M 24	46.0		22230 23230	SR 270X16.5 SR 270X10	2 1	U 230	530 UA
212.5	6	35	42	M 30	M 24	51.0		22232 23232	SR 290X17 SR 290X10	2 1	U 232	532 UA

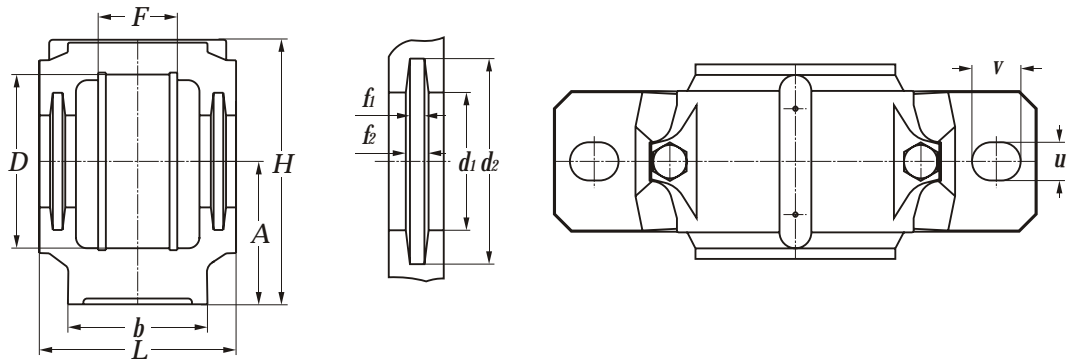


Technical Information

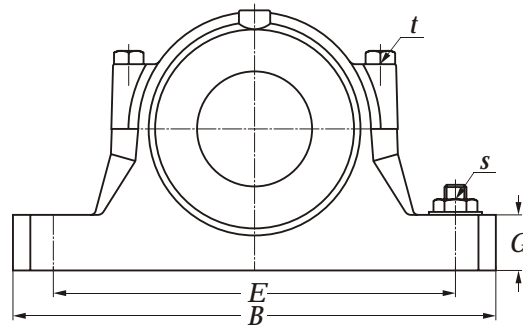
PLUMMER BLOCK HOUSINGS



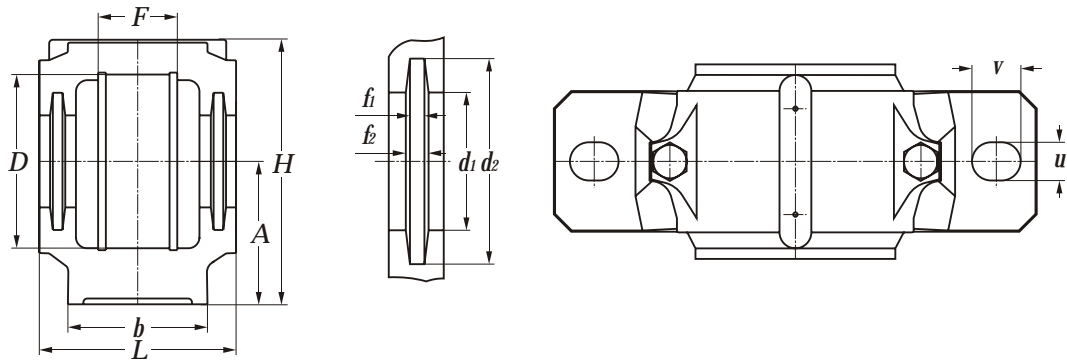
HOUSING SIZE	SHAFT DIAMETER	PLUMMER BLOCK HOUSING	PLUMMER BLOCK HOUSING DIMENSIONS (mm)										
	d (mm)		D (H8)	B	b	G	F (H13)	A (h13)	L	H	E	d_1 (H12)	d_2 (H13)
SN 506	25	SN 506	62	185	52	22	30.0	50	77	90	150	26.5	38
SN 507	30	SN 507	72	185	52	22	33.0	50	82	95	150	31.5	43
SN 508	35	SN 508	80	205	60	25	33.0	60	85	112	170	36.5	48
SN 509	40	SN 509	85	205	60	25	31.0	60	85	112	170	41.5	53
SN 510	45	SN 510	90	205	60	25	33.0	60	90	115	170	46.5	58
SN 511	50	SN 511	100	255	70	28	33.0	70	95	130	210	51.5	67
SN 512	55	SN 512	110	255	70	30	38.0	70	105	135	210	56.5	72
SN 513	60	SN 513	120	275	80	30	43.0	80	110	150	230	62.0	77
SN 515	65	SN 515	130	280	80	30	41.0	80	115	155	230	67.0	82
SN 516	70	SN 516	140	315	90	32	43.0	95	120	175	260	72.0	89
SN 517	75	SN 517	150	320	90	32	46.0	95	125	185	260	77.0	94
SN 518	80	SN 518	160	345	100	35	62.4	100	145	195	290	82.0	99
SN 519	85	SN 519	170	345	100	35	53.0	112	140	210	290	87.0	104
SN 520	90	SN 520	180	380	110	40	70.3	112	160	215	320	92.0	111
SN 522	100	SN 522	200	410	120	45	80.0	125	175	239	350	102.0	125
SN 524	110	SN 524	215	410	120	45	86.0	140	185	270	350	113.0	135
SN 526	115	SN 526	230	445	130	50	90.0	150	190	290	380	118.0	140
SN 528	125	SN 528	250	500	150	50	98.0	150	205	305	420	128.0	154
SN 530	135	SN 530	270	530	160	60	106.0	160	220	325	450	138.0	164
SN 532	140	SN 532	290	550	160	60	114.0	170	235	340	470	143.0	173



PLUMMER BLOCK HOUSING DIMENSIONS (mm)							APPROPRIATE APARTMENT					
f_i	f_e	u	v	s	t	WEIGHT	BEARING NUMBER	ADAPTER SLEEVE	LOCATING RING		FELT SEAL	END COVER
						Kg			NUMBER	QTY		
4	5.4	15	20	M 12	M 8	2.3	1206 K	H 206	SR 62X7	2	FS 6X6X105	506 NA
							2206 K	H 306	SR 62X10	1		
4	5.4	15	20	M 12	M 10	2.5	1207 K	H 207	SR 72X8	2	FS 6X6X120	507 NA
							2207 K	H 307	SR 72X10	1		
4	5.4	15	20	M 12	M 10	3.4	1208 K	H 208	SR 80X7.5	2	FS 6X6X135	508 NA
							2208 K	H 308	SR 80X10	1		
4	5.4	15	20	M 12	M 10	3.4	1209 K	H 209	SR 85X6	2	FS 6X6X150	509 NA
							2209 K	H 309	SR 85X8	1		
4	5.4	15	20	M 12	M 10	3.6	1210 K	H 210	SR 90X6.5	2	FS 6X6X165	510 NA
							2210 K	H 310	SR 90X10	1		
5	6.9	18	23	M 16	M 12	4.8	1211 K	H 211	SR 100X6	2	FS 6X9X190	511 NA-510 UA
							2211 K	H 311	SR 100X8	1		
5	6.9	18	23	M 16	M 12	5.4	1212 K	H 212	SR 110X8	2	FS 6X9X205	512 NA-511 UA
							2212 K	H 312	SR 110X10	1		
5	6.8	18	23	M 16	M 12	6.3	1213 K	H 213	SR 120X10	2	FS 6X9X220	513 NA-512 UA
							2213 K	H 313	SR 120X12	1		
5	6.8	18	23	M 16	M 12	7.4	1215 K	H 215	SR 130X8	2	FS 6X9X235	515 NA-513 UA
							2215 K	H 315	SR 130X10	1		
6	8.1	22	27	M 20	M 16	9.6	1216 K	H 216	SR 140X8.5	2	FS 8X10X255	516 NA
							2216 K	H 316	SR 140X10	1		
6	8.1	22	27	M 20	M 16	9.8	1217 K	H 217	SR 150X9	2	FS 8X10X270	517 NA-515 UA
							2217 K	H 317	SR 150X10	1		
6	8.1	22	27	M 20	M 16	14.2	1218 K	H 218	SR 160X16.2	2	FS 8X10X285	518 NA-516 UA
							2218 K	H 318	SR 160X11.2	2		
							23218 K	H 2318	SR 160X10	1		
6	8.1	22	27	M 20	M 16	15.2	1219 K	H 219	SR 170X10.5	2	FS 8X10X300	519 NA-517 UA
							22219 K	H 319	SR 170X10	1		
7	9.3	26	32	M 24	M 20	19.0	2220 K	H 320	SR 180X12.1	2	FS 9X10X320	520 NA-518 UA
							22320 K	H 2320	SR 180X10	1		
8	10.8	26	32	M 24	M 20	23.1	2222 K	H 322	SR 200X13.5	2	FS 10X13X360	522 NA
							23222 K	H 2322	SR 200X10	1		
8	10.7	26	32	M 24	M 20	26.0	22224 K	H 3124	SR 215X14	2	FS 10X13X390	524 NA
							23224 K	H 2324	SR 215X10	1		
8	10.7	28	36	M 24	M 24	32.7	22226 K	H 3126	SR 230X13	2	FS 10X13X410	526 NA-519 UA
							23226 K	H 2326	SR 230X10	1		
9	12.2	33	42	M 30	M 24	43.5	22228 K	H 3128	SR 250X15	2	FS 12X14X445	528 NA-522 UA
							23228 K	H 2328	SR 250X10	1		
9	12.2	33	42	M 30	M 24	48.7	22230 K	H 3130	SR 270X16.5	2	FS 12X14X475	530 NA-524 UA
							23230 K	H 2330	SR 270X10	1		
10	13.7	33	42	M 30	M 24	60.7	22232 K	H 3132	SR 290X17	2	FS 12X14X500	532 NA-526 UA
							23232 K	H 2332	SR 290X10	1		



HOUSING SIZE	SHAFT DIAMETER	PLUMMER BLOCK HOUSING	PLUMMER BLOCK HOUSING DIMENSIONS (mm)										
	d (mm)		D (H8)	B	b	G	F (H13)	A (h13)	L	H	E	d_1 (H12)	d_2 (H13)
SN 606	25	SN 606	72	185	52	22	37	50	82	95	150	26.5	38
SN 607	30	SN 607	80	205	60	25	41	60	90	110	170	31.5	43
SN 608	35	SN 608	90	205	60	25	43	60	95	115	170	36.5	48
SN 609	40	SN 609	100	255	70	28	46	70	105	130	210	41.5	53
SN 610	45	SN 610	110	255	70	30	50	70	115	135	210	46.5	58
SN 611	50	SN 611	120	275	80	30	53	80	120	150	230	51.5	67
SN 612	55	SN 612	130	280	80	30	56	80	125	155	230	56.5	72
SN 613	60	SN 613	140	315	90	32	58	95	130	175	260	62.0	77
SN 615	65	SN 615	160	345	100	35	65	100	140	195	290	67.0	82
SN 616	70	SN 616	170	345	100	35	68	112	145	215	290	72.0	89
SN 617	75	SN 617	180	380	110	40	70	112	155	218	320	77.0	94
SN 618	80	SN 618	190	400	110	33	74	112	160	230	320	82.0	99
SN 619	85	SN 619	200	420	120	36	77	125	170	245	350	87.0	104
SN 620	90	SN 620	215	420	120	38	83	140	175	280	350	92.0	111

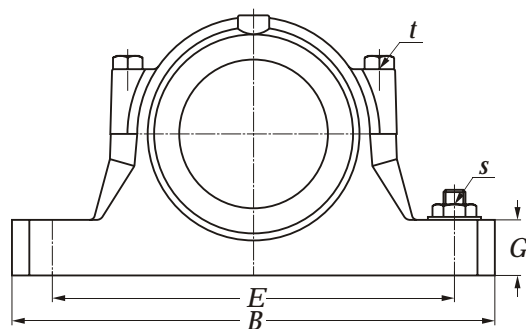


PLUMMER BLOCK HOUSING DIMENSIONS (mm)							APPROPRIATE APARTMENT						
f_i	f_e	u	v	s	t	WEIGHT	BEARING NUMBER	ADAPTER SLEEVE	LOCATING RING		FELT SEAL	END COVER	
						Kg			NUMBER	QTY			
4	5.4	15	20	M 12	M 10	2.2	1306 K 2306 K	H 306 H 2306	SR 72X9 SR 72X10	2 1	FS 6X6X105	506 NA	
4	5.4	15	20	M 12	M 10	3.4	1307 K 2307 K	H 307 H 2307	SR 80X10 SR 80X10	2 1	FS 6X6X120	507 NA	
4	5.4	15	20	M 12	M 12	3.4	1308 K 2308 K	21308 K 22308 K	H 308 H 2308	SR 90X10 SR 90X10	2 1	FS 6X6X135	508 NA
4	5.4	18	23	M 16	M 12	5.0	1309 K 2309 K	21309 K 22309 K	H 309 H 2309	SR 100X10.5 SR 100X10	2 1	FS 6X6X150	509 NA
4	5.4	18	23	M 16	M 12	5.4	1310 K 2310 K	21310 K 22310 K	H 310 H 2310	SR 110X11.5 SR 110X10	2 1	FS 6X6X165	510 NA
5	6.9	18	23	M 16	M 12	6.8	1311 K 2311 K	21311 K 22311 K	H 311 H 2311	SR 120X12 SR 120X10	2 1	FS 6X9X190	511 NA-510 UA
5	6.9	18	23	M 16	M 12	7.1	1312 K 2312 K	21312 K 22312 K	H 312 H 2312	SR 130X12.5 SR 130X10	2 1	FS 6X9X205	512 NA-511 UA
5	6.8	22	27	M 20	M 16	10.0	1313 K 2313 K	21313 K 22313 K	H 313 H 2313	SR 140X12.5 SR 140X10	2 1	FS 6X9X220	513 NA-512 UA
5	6.8	22	27	M 20	M 16	13.8	1315 K 2315 K	21315 K 22315 K	H 315 H 2315	SR 160X14 SR 160X10	2 1	FS 6X9X235	515 NA-513 UA
6	8.1	22	27	M 20	M 16	16.9	1316 K 2316 K	21316 K 22316 K	H 316 H 2316	SR 170X14.5 SR 170X10	2 1	FS 8X10X255	516 NA
6	8.1	26	32	M 24	M 20	18.9	1317 K 2317 K	21317 K 22317 K	H 317 H 2317	SR 180X14.5 SR 180X10	2 1	FS 8X10X270	517 NA-515 UA
6	8.1	26	35	M 24	M 20	19.8	1318 K 2318 K	22318 K	H 318 H 2318	SR 190X15.5 SR 190X10	2 1	FS 8X10X285	518 NA-516 UA
6	8.1	26	35	M 24	M 20	24.7	1319 K 2319 K	22319 K	H 319 H 2319	SR 200X16 SR 200X10	2 1	FS 8X10X300	519 NA-517 UA
7	9.3	26	35	M 24	M 20	27.0	1320 K 2320 K	22320 K	H 320 H 2320	SR 215X18 SR 215X10	2 1	FS 9X10X320	520 NA-518 UA

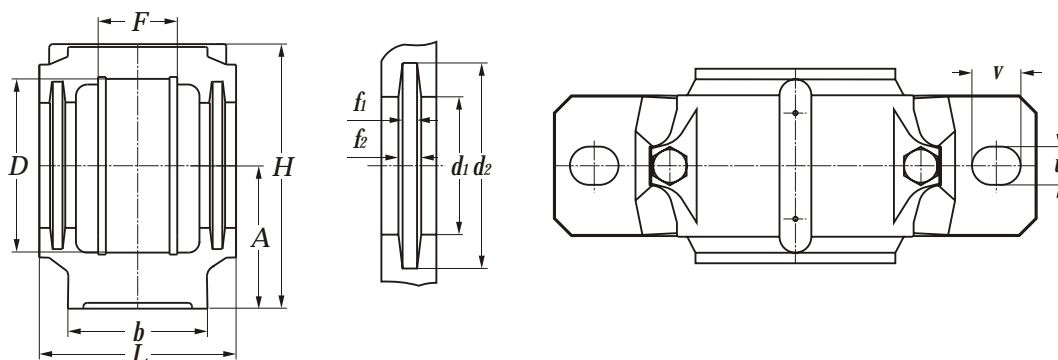


Technical Information

PLUMMER BLOCK HOUSINGS



HOUSING SIZE	SHAFT DIAMETER d (mm)	PLUMMER BLOCK HOUSING	PLUMMER BLOCK HOUSING DIMENSIONS (mm)										
			D (H8)	B	b	G	F (H13)	A (h13)	L	H	E	d_t (H12)	d_2 (H13)
SN 206	30	SN 206	62	185	52	22	30.0	50	77	90	150	36.5	48
SN 207	35	SN 207	72	185	52	22	33.0	50	82	95	150	46.5	58
SN 208	40	SN 208	80	205	60	25	33.0	60	85	112	170	51.5	67
SN 209	45	SN 209	85	205	60	25	31.0	60	85	112	170	56.5	72
SN 210	50	SN 210	90	205	60	25	33.0	60	90	115	170	62.0	77
SN 211	55	SN 211	100	255	70	28	33.0	70	95	130	210	67.0	82
SN 212	60	SN 212	110	255	70	30	38.0	70	105	135	210	72.0	89
SN 213	65	SN 213	120	275	80	30	43.0	80	110	150	230	77.0	94
SN 215	75	SN 215	130	280	80	30	41.0	80	115	155	230	87.0	104
SN 216	80	SN 216	140	315	90	32	43.0	95	120	175	260	92.0	111
SN 217	85	SN 217	150	320	90	32	46.0	95	125	185	260	97.0	120
SN 218	90	SN 218	160	345	100	35	62.4	100	145	195	290	102.0	125
SN 220	100	SN 220	180	380	110	40	70.3	112	160	215	320	118.0	140
SN 222	110	SN 222	200	410	120	45	80.0	125	175	239	350	128.0	154
SN 224	120	SN 224	215	410	120	45	86.0	140	185	270	350	138.0	164
SN 226	130	SN 226	230	445	130	50	90.0	150	190	290	380	148.0	178
SN 228	140	SN 228	250	500	150	50	98.0	150	205	305	420	158.0	188
SN 230	150	SN 230	270	530	160	60	106.0	160	220	325	450	168.0	198
SN 232	160	SN 232	290	550	160	60	114.0	170	235	340	470	178.0	208

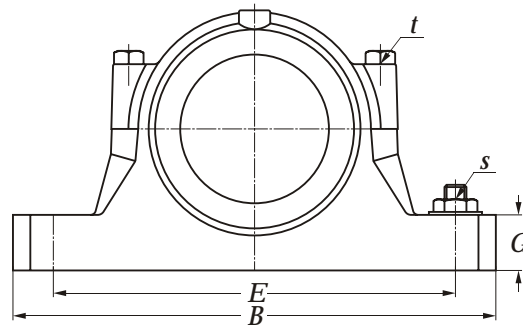


PLUMMER BLOCK HOUSING DIMENSIONS (mm)							APPROPRIATE APARTMENT					
fi	f2	u	v	s	t	WEIGHT Kg	BEARING NUMBER		LOCATING RING		FELT SEAL	END COVER
									NUMBER	QTY		
4	5.4	15	20	M 12	M 8	2.3	1206		SR 62X7	2	FS 6X6X135	508 NA
							2206	22206	SR 62X10	1		
4	5.4	15	20	M 12	M 10	2.3	1207		SR 72X8	2	FS 6X6X165	510 NA
							2207	22207	SR 72X10	1		
5	6.9	15	20	M 12	M 10	3.2	1208		SR 80X7.5	2	FS 6X9X190	511 NA-510 UA
							2208	22208	SR 80X10	1		
5	6.9	15	20	M 12	M 10	3.2	1209		SR 85X6	2	FS 6X9X205	512 NA-511 UA
							2209	22209	SR 85X8	1		
5	6.8	15	20	M 12	M 10	3.3	1210		SR 90X6.5	2	FS 6X9X220	513 NA-512 UA
							2210	22210	SR 90X10	1		
5	6.8	18	23	M 16	M 12	4.4	1211		SR 100X6	2	FS 6X9X235	515 NA-513 UA
							2211	22211	SR 100X8	1		
6	8.1	18	23	M 16	M 12	5.0	1212		SR 110X8	2	FS 8X10X255	516 NA
							2212	22212	SR 110X10	1		
6	8.1	18	23	M 16	M 12	5.9	1213		SR 120X10	2	FS 8X10X270	517 NA-515 UA
							2213	22213	SR 120X12	1		
6	8.1	18	23	M 16	M 12	7.0	1215		SR 130X8	2	FS 8X10X300	519 NA-517 UA
							2215	22215	SR 130X10	1		
7	9.3	22	27	M 20	M 16	8.9	1216		SR 140X8.5	2	FS 9X10X320	520 NA-518 UA
							2216	22216	SR 140X10	1		
8	10.8	22	27	M 20	M 16	9.1	1217		SR 150X9	2	FS 10X13X340	217 NA
							2217	22217	SR 150X10	1		
8	10.8	22	27	M 20	M 16	13.1	1218		SR 160X16.2	2	FS 10X13X360	522 NA
							2218	22218	SR 160X11.2	2		
							23218		SR 160X10	1		
8	10.7	26	32	M 24	M 20	17.5	2220		SR 180X12.1	2	FS 10X13X410	526 NA-519 UA
							22320		SR 180X10	1		
9	12.2	26	32	M 24	M 20	21.6	2222		SR 200X13.5	2	FS 12X14X445	528 NA-522 UA
							23222		SR 200X10	1		
9	12.2	26	32	M 24	M 20	24.2	22224		SR 215X14	2	FS 12X14X475	530 NA-524 UA
							23224		SR 215X10	1		
10	13.7	28	36	M 24	M 24	30.2	22226		SR 230X13	2	FS 12X17X515	226 NA
							23226		SR 230X10	1		
10	13.7	33	42	M 30	M 24	41.0	22228		SR 250X15	2	FS 12X17X545	228 NA
							23228		SR 250X10	1		
10	13.7	33	42	M 30	M 24	46.0	22230		SR 270X16.5	2	FS 12X17X580	230 NA
							23230		SR 270X10	1		
10	13.7	33	42	M 30	M 24	57.5	22232		SR 290X17	2	FS 12X17X610	232 NA
							23232		SR 290X10	1		

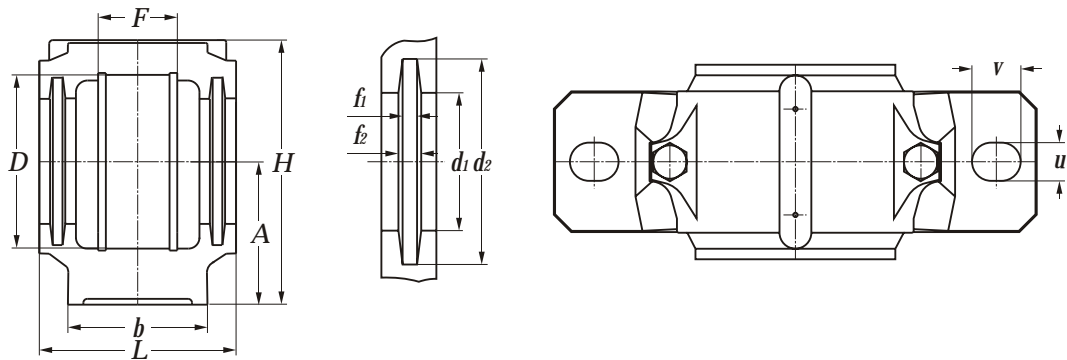


Technical Information

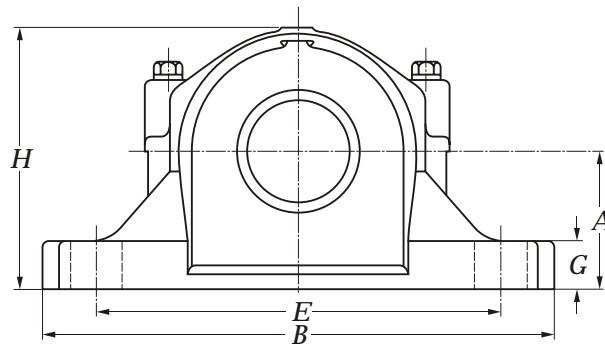
PLUMMER BLOCK HOUSINGS



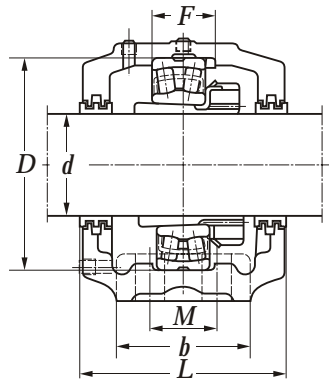
HOUSING SIZE	SHAFT DIAMETER d (mm)	PLUMMER BLOCK HOUSING	PLUMMER BLOCK HOUSING DIMENSIONS (mm)										
			D (H8)	B	b	G	F (H13)	A (h13)	L	H	E	d_1 (H12)	d_2 (H13)
SN 306	30	SN 306	72	185	52	22	37	50	82	95	150	36.5	48
SN 307	35	SN 307	80	205	60	25	41	60	90	110	170	46.5	58
SN 308	40	SN 308	90	205	60	25	43	60	95	115	170	51.5	67
SN 309	45	SN 309	100	255	70	28	46	70	105	130	210	56.5	72
SN 310	50	SN 310	110	255	70	30	50	70	115	135	210	62.0	77
SN 311	55	SN 311	120	275	80	30	53	80	120	150	230	67.0	82
SN 312	60	SN 312	130	280	80	30	56	80	125	155	230	72.0	89
SN 313	65	SN 313	140	315	90	32	58	95	130	175	260	77.0	94
SN 315	75	SN 315	160	345	100	35	65	100	140	195	290	87.0	104
SN 316	80	SN 316	170	345	100	35	68	112	145	215	290	92.0	111
SN 317	85	SN 317	180	380	110	40	70	112	155	218	320	97.0	120
SN 318	90	SN 318	190	400	110	33	74	112	160	230	320	102.0	125
SN 319	95	SN 319	200	420	120	36	77	125	170	245	350	113.0	135
SN 320	100	SN 320	215	420	120	38	83	140	175	280	350	118.0	140



PLUMMER BLOCK HOUSING DIMENSIONS (mm)							APPROPRIATE APARTMENT				
fi	f2	u	v	s	t	WEIGHT Kg	BEARING NUMBER	LOCATING RING		FELT SEAL	END COVER
								NUMBER	QTY		
4	5.4	15	20	M 12	M 10	2.2	1306	SR 72X9	2	FS 6X6X135	306 NA
							2306	SR 72X10	1		
4	5.4	15	20	M 12	M 10	3.2	1307	SR 80X10	2	FS 6X6X165	510 NA
							2307	SR 80X10	1		
5	6.9	15	20	M 12	M 12	3.2	1308	SR 90X10	2	FS 6X9X190	511 NA-510 UA
							2308	SR 90X10	1		
5	6.9	18	23	M 16	M 12	4.8	1309	SR 100X10.5	2	FS 6X9X205	512 NA-511 UA
							2309	SR 100X10	1		
5	6.8	18	23	M 16	M 12	5.1	1310	SR 110X11.5	2	FS 6X9X220	513 NA-512 UA
							2310	SR 110X10	1		
5	6.8	18	23	M 16	M 12	6.4	1311	SR 120X12	2	FS 6X9X235	515 NA-513 UA
							2311	SR 120X10	1		
5	8.1	18	23	M 16	M 12	6.7	1312	SR 130X12.5	2	FS 8X10X255	516 NA
							2312	SR 130X10	1		
6	8.1	22	27	M 20	M 16	9.6	1313	SR 140X12.5	2	FS 8X10X270	517 NA-515 UA
							2313	SR 140X10	1		
6	8.1	22	27	M 20	M 16	13.4	1315	SR 160X14	2	FS 8X10X300	519 NA-517 UA
							2315	SR 160X10	1		
6	9.3	22	27	M 20	M 16	16.2	1316	SR 170X14.5	2	FS 9X10X320	520 NA-518 UA
							2316	SR 170X10	1		
7	10.8	26	32	M 24	M 20	18.2	1317	SR 180X14.5	2	FS 10X13X340	317 NA
							2317	SR 180X10	1		
8	10.8	26	35	M 24	M 20	18.7	1318	SR 190X15.5	2	FS 10X13X360	522 NA
							2318	SR 190X10	1		
8	10.7	26	35	M 24	M 20	23.6	1319	SR 200X16	2	FS 10X13X390	524 NA
							2319	SR 200X10	1		
8	10.7	26	35	M 24	M 20	25.7	1320	SR 215X18	2	FS 10X13X410	526 NA-519 UA
							2320	SR 215X10	1		



HOUSING SIZE	SHAFT DIAMETER		PLUMMER BLOCK HOUSING	PLUMMER BLOCK HOUSING DIMENSIONS (in.)							
	d (in.)			D (G7)	B	b	G	F	A	L	H
	Standard	Optional		mm				mm			
SAF 1507 SAF 22507	1-3/16	--	SAF 507	72	7-1/4	2	13/16	27	2	3-3/16	4-3/8
SAF 1509 SAF 22509	1-7/16	1-3/8, 1-1/2	SAF 509	85	8-1/4	2-3/8	13/16	29	2-1/4	3-5/8	4-3/8
SAF 1510 SAF 22510	1-11/16	1-5/8, 1-3/4	SAF 510	90	8-1/4	2-3/8	15/16	30	2-1/2	3-5/8	4-3/4
SAF 1511 SAF 22511	1-15/16	1-7/8, 2	SAF 511	100	9-5/8	2-3/4	15/16	31	2-3/4	3-7/8	5-1/32
SAF 1513 SAF 22513	2-3/16	2-1/8, 2-1/4	SAF 513	120	11	3-1/8	1	39	3	4-1/2	5-21/32
SAF 1515 SAF 22515	2-7/16	2-3/8, 2-1/2	SAF 515	130	11-1/4	3-1/8	1-1/4	37	3-1/4	4-11/16	6-1/8
SAF 1516 SAF 22516	2-11/16	2-5/8, 2-3/4	SAF 516	140	13	3-1/2	1/1/4	43	3-1/2	5-5/16	6-19/32
SAF 1517 SAF 22517	2-15/16	2-13/16, 2-7/8, 3	SAF 517	150	13	3-1/2	1-1/4	46	3-3/4	5	7-1/8
SAF 22518	3-3/16	3-1/16, 3-1/8, 3-1/4	SAF 518	160	13-3/4	3-7/8	1-5/8	50	4	5-7/8	7-9/16
SAF 22520	3-7/16	3-5/16, 3-3/8, 3-1/2	SAF 520	180	15-1/4	4-3/8	1-3/4	56	4-1/2	6-1/8	8-15/32
SAF 22522	3-15/16	3-13/16, 3-7/8, 4	SAF 522	200	16-1/2	4-3/4	2	63	4-15/16	6-1/2	9-11/32
SAF 22524	4-3/16	4-1/16, 4-1/8, 4-1/4	SAF 524	215	16-1/2	4-3/4	2-1/8	68	5-1/4	7-3/8	10-3/16
SAF 22526	4-7/16	4-5/16, 4-3/8, 4-1/2	SAF 526	230	18-3/8	5-1/4	2-3/8	74	6	8-1/8	11-5/16
SAF 22528	4-15/16	4-13/16, 4-7/8, 5	SAF 528	250	20-1/8	5-7/8	2-3/8	78	6	7-5/8	11-3/4
SAF 22530	5-3/16	5-1/8, 5-1/4	SAF 530	270	21-1/4	6-1/4	2-1/2	83	6-5/16	8-3/8	12-1/2
SAF 22532	5-7/16	5-3/8, 5-1/2	SAF 532	290	22	6-1/4	2-5/8	90	6-11/16	8-3/4	13-5/16

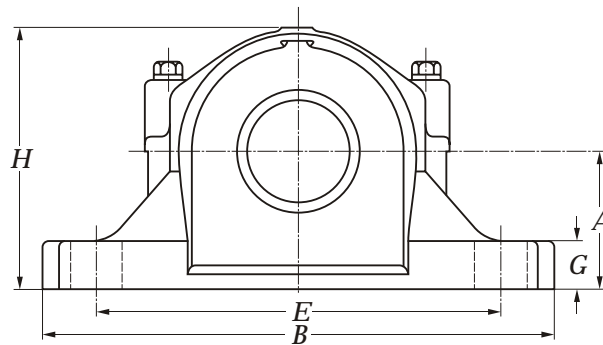


PLUMMER BLOCK HOUSING DIMENSIONS (in.)					APPROPRIATE APARTMENT				
<i>E</i>	<i>E</i>	<i>M</i>	Bolts	WEIGHT	BEARING NUMBER	ADAPTER	STAB	TRIPLE RING	END
Max.	Min.		(No. Req'd)	Kgs		SLEEVE	RING	SEAL	COVER
6-1/8	5-5/8	-	(2)-3/8	4.1	1207 K 22207 K	SNW 7	SR 72X10 X1 SR 72X4 X1	LER 14	EPR 3
7	6-1/4	-	(2)-1/2	5.0	1209 K 22209 K	SNW 9	SR 85X10 X1 SR 85X6 X1	LER 17	EPR 3
7	6-1/2	-	(2)-1/2	5.4	1210 K 22210 K	SNW 10	SR 90X10 X1 SR 90X7 X1	LER 20	EPR 4
7-7/8	7-3/8	-	(2)-5/8	6.4	1211 K 22211 K	SNW 11	SR 100X10 X1 SR 100X6 X1	LER 24	EPR 5
9-1/2	8-1/8	-	(2)-5/8	9.5	1213 K 22213 K	SNW 13	SR 120X8 X2 SR 120X8 X1	LER 29	EPR 6
9-5/8	8-5/8	1-7/8	(2)-5/8, (4)-1/2	10.9	1215 K 22215 K	SNW 15	SR 130X6 X2 SR 130X6 X1	LER 37	EPR 7
11	9-5/8	2-1/8	(2)-3/4, (4)-5/8	14.5	1216 K 22216 K	SNW 16	SR 140X8.5 X2 SR 140X10 X1	LER 44	EPR 8
11	9-7/8	2-1/8	(2)-3/4, (4)-5/8	15.9	1217 K 22217 K	SNW 17	SR 150X9 X2 SR 150X10 X1	LER 53	EPR 9
11-5/8	10-3/8	2-1/8	(2)-3/4, (4)-5/8	20.0	22218 K	SNW 18	SR 160X10 X1	LER 188	EPR 11
13-1/8	11-5/8	2-3/8	(2)-7/8, (4)-3/4	33.6	22220 K	SNW 20	SR 180X10 X1	LER 102	EPR 12
14-1/2	12-5/8	2-3/4	(4)-3/4	44.0	22222 K	SNW 22	SR 200X10 X1	LER 109	EPR 13
14-1/2	13-1/4	2-3/4	(4)-3/4	54.4	22224 K	SNW 24	SR 215X10 X1	LER 113	EPR 14
16	14-5/8	3-1/4	(4)-7/8	72.6	22226 K	SNW 26	SR 230X10 X1	LER 117	EPR 15
17-1/8	16	3-3/8	(4)-1	79.4	22228 K	SNW 28	SR 250X10 X1	LER 122	EPR 27
18-1/4	17	3-3/4	(4)-1	99.8	22230 K	SNW 30	SR 270X10 X1	LER 125	EPR 16
19-1/4	17-3/8	3-3/4	(4)-1	111.1	22232 K	SNW 32	SR 290X10 X1	LER 130	EPR 16

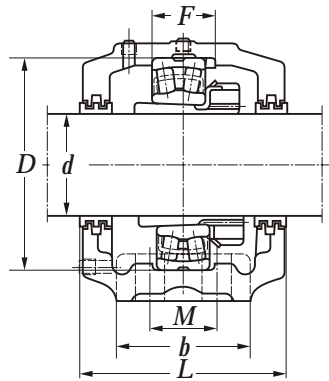


Technical Information

PLUMMER BLOCK HOUSINGS



HOUSING SIZE	SHAFT DIAMETER		PLUMMER BLOCK HOUSING	PLUMMER BLOCK HOUSING DIMENSIONS (in.)							
	d (in.)			D (G7)	B	b	G	F	A	L	H
	Standard	Optional		mm				mm			
SAF 1609 SAF 22609	1-7/16	1-3/8,1-1/2	SAF 609	100	9-5/8	2-3/4	1	46	2-3/4	4-1/4	5-5/16
SAF 1610 SAF 22610	1-11/16	1-5/8,1-3/4	SAF 610	110	10-5/8	2-3/4	1-1/8	51	3	4-5/8	5-13/16
SAF 1611 SAF 22611	1-15/16	1-7/8,2	SAF 611	120	11	3-1/8	1-3/16	53	3-1/4	4-7/8	6-3/16
SAF 1613 SAF 22613	2-3/16	2-1/8,2-1/4	SAF 613	140	13	3-1/2	1-1/4	58	3-1/2	5-5/16	6-19/32
SAF 1615 SAF 22615	2-7/16	2-3/8,2-1/2	SAF 615	160	13-3/4	3-7/8	1-5/8	65	4	5-7/8	7-9/16
SAF 1616 SAF 22616	2-11/16	2-5/8,2-3/4	SAF 616	170	14-1/4	3-7/8	1-3/4	68	4-1/4	6-1/2	8-1/4
SAF 1617 SAF 22617	2-15/16	2-13/16,2-7/8,3	SAF 617	180	15-1/4	4-3/8	1-3/4	70	4-1/2	6-3/4	8-3/4
SAF 1618 SAF 22618	3-3/16	3-1/16,3-1/8,3-1/4	SAF 618	190	15-1/2	4-3/8	2	74	4-3/4	6-7/8	9-1/4
SAF 1619 SAF 22620	3-7/16	3-5/16,3-3/8,3-1/2	SAF 620	215	16-1/2	4-3/4	2-1/8	83	5-1/4	7-5/16	10-3/16
SAF 1621 SAF 22622	3-15/16	3-13/16,3-7/8,4	SAF 622	240	18-3/8	5-1/4	2-3/8	90	6	8-1/8	11-5/16



PLUMMER BLOCK HOUSING DIMENSIONS (in.)					APPROPRIATE APARTMENT				
<i>E</i> Max.	<i>E</i> Min.	<i>M</i>	Bolts (No. Req'd)	WEIGHT Kgs	BEARING NUMBER	ADAPTER SLEEVE	STAB RING	TRIPLE RING SEAL	END COVER
7-7/8	7-3/8	-	(2)-5/8	7.7	1309 K 22309 K	SNW 109	SR 100X10.5 X2 SR 100X10 X1	LER 17	EPR 2
9	7-3/4	-	(2)-5/8	10.0	1310 K 22310 K	SNW 110	SR 110X12 X2 SR 110X11 X1	LER 20	EPR 4
9-1/2	8-1/8	2	(2)-5/8,(4)-1/2	12.2	1311 K 22311 K	SNW 111	SR 120X12 X2 SR 120X10 X1	LER 24	EPR 5
11	9-5/8	2-1/8	(2)-3/4,(4)-5/8	17.7	1313 K 22313 K	SNW 113	SR 140X12.5 X2 SR 140X10 X1	LER 32	EPR 7
11-5/8	10-3/8	2-1/8	(2)-3/4,(4)-5/8	24.9	1315 K 22315 K	SNW 115	SR 160X14 X2 SR 160X10 X1	LER 37	EPR 7
12-5/8	10-5/8	2-1/8	(2)-3/4,(4)-5/8	29.9	1316 K 22316 K	SNW 116	SR 170X14.5 X2 SR 170X10 X1	LER 44	EPR 8
13-1/8	11-5/8	2-3/8	(2)-7/8,(4)-3/4	39.5	1317 K 22317 K	SNW 117	SR 180X14.5 X2 SR 180X10 X1	LER 184	EPR 10
13-1/2	12	2-1/4	(4)-3/4	44.0	1318 K 22318 K	SNW 118	SR 190X15.5 X2 SR 190X10 X1	LER 188	EPR 11
14-1/2	13-1/4	2-3/4	(4)-3/4	56.7	1320 K 22320 K	SNW 120	SR 215X18 X2 SR 215X10 X1	LER 102	EPR 12
16	14-5/8	3-1/4	(4)-7/8	74.8	1322 K 22322 K	SNW 122	SR 240X20 X2 SR 240X10 X1	LER 109	EPR 13